

vivint.SmartHomeArena

Meeting Room Information

VIP Room

VIP Room

- Conveniently located near the Ticket Lobby on Level 2, the VIP Room is the largest of our meeting rooms.
- This luxurious meeting space boasts two full-service beverage stations.
- Picture windows along the north and west sides of the room allow for an unparalleled view of the gorgeous setting on our Plaza Level.

Square Footage & Capacities

- Square Feet: 8,904
- Maximum Capacity: 710
- Banquet: 500
- Classroom: 200
- Theatre: 300

Champions Club

Sponsors Room

- Also conveniently located near the Ticket Lobby, the Champions Club is our most widely used and versatile meeting area.
- There are two full-service beverage stations and a bar located in this room.

Square Footage & Capacities

- Square Feet: 5,391
- Maximum Capacity: 350
- Banquet: 235
- Classroom: 120
- Theatre: 250

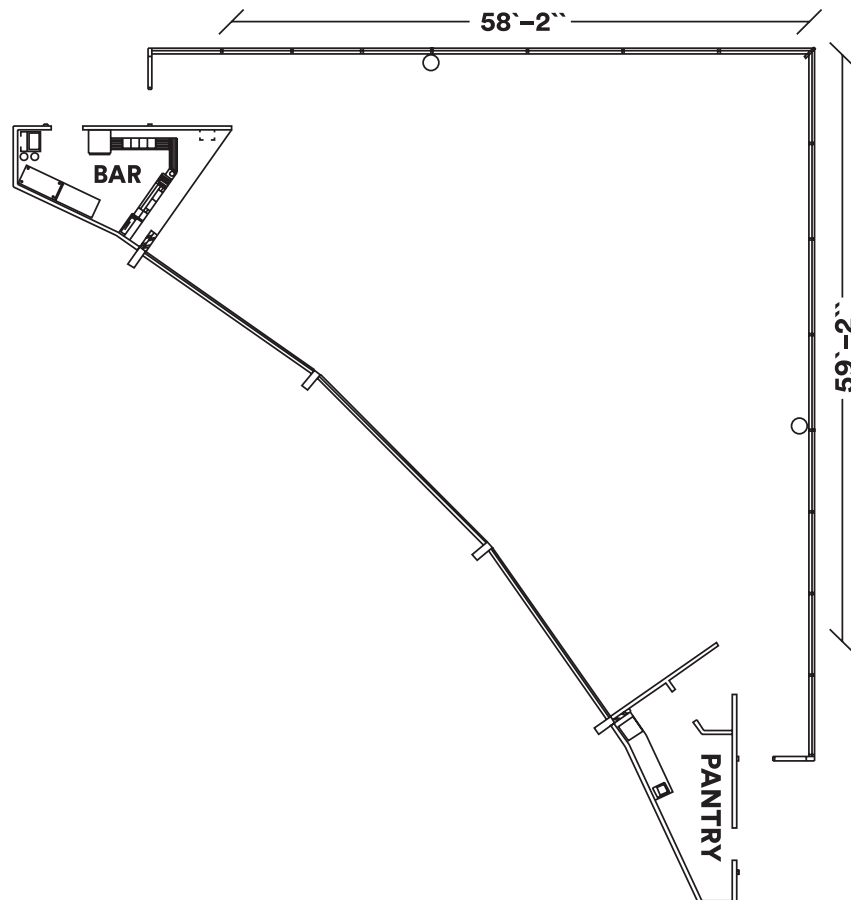
Jazz 100 Club

Jazz 100 Club

- This is an exclusive space on Level 6 for the members of the Jazz 100 Club—the premier fan association for the Utah Jazz. On occasion, this space may be rented for holiday parties, recognition dinners, awards banquets, retirement dinners or wedding receptions.
- Featuring breathtaking views of Temple Square, the Capitol Building and the Wasatch Mountains, this room is perfect for your next formal function.
- The Jazz 100 Club comes with a full-service beverage bar.

Square Footage & Capacities

- Square Feet: 2,800
- Maximum Capacity: 206
- Banquet: 170
- Classroom: 120
- Reception: 185
- Theatre: 206



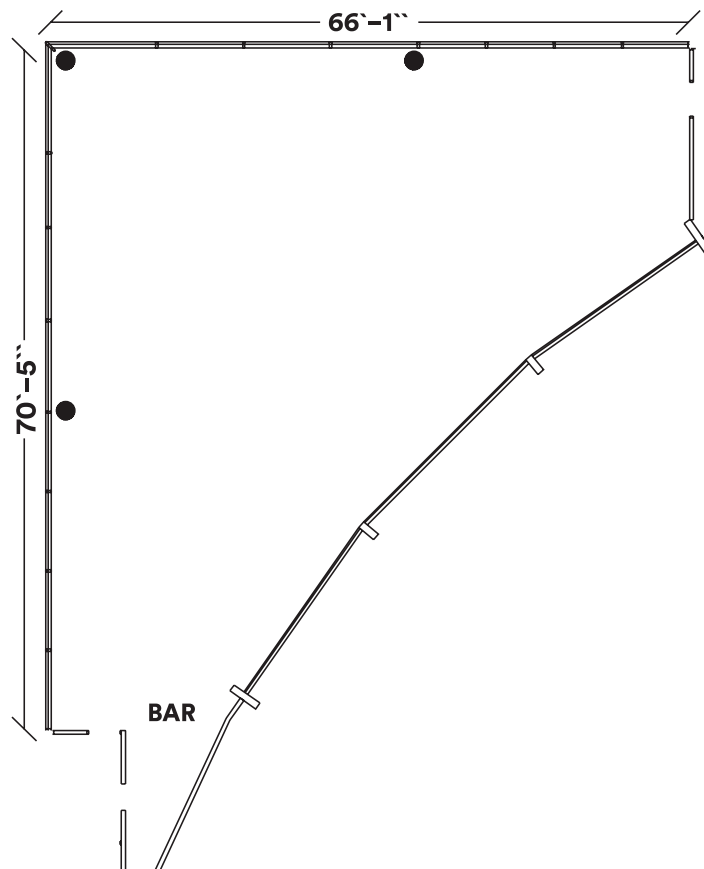
Club North

Club North

- Club North is located on Level 6 overlooking the historic Devereaux House, the Avenues and Capitol Hill.
- The historic Union Pacific Building, as well as beautiful sunsets over the Oquirrh Mountains and the Great Salt Lake, are also visible from this banquet room.
- This meeting room comes with a full-service beverage area and is perfect for wedding receptions and brunches.

Square Footage & Capacities

- Square Feet: 2,800
- Maximum Capacity: 206
- Banquet: 170
- Classroom: 120
- Reception: 185
- Theatre: 206

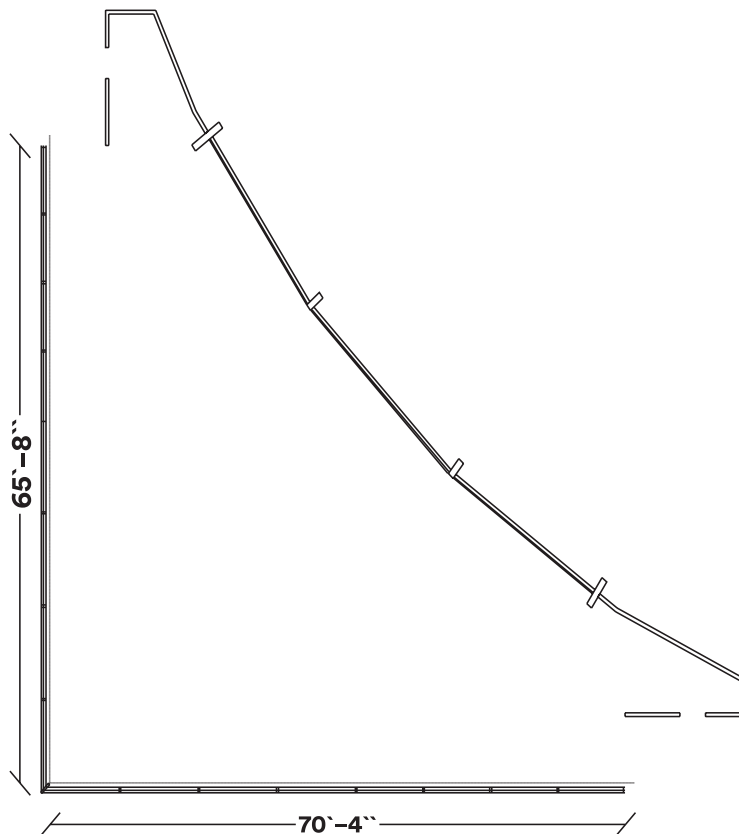


Club South

- Facing south on Level 6, Club South is a versatile meeting room that's ideal for fall and winter meetings.
- Watch the sun brighten the Wasatch Mountains with views of Mount Olympus and the Salt Lake Valley through this room's incredible picture windows.

Square Footage & Capacities

- Square Feet: 3,100
- Maximum Capacity: 230
- Banquet: 180
- Classroom: 120
- Reception: 200
- Theatre: 230

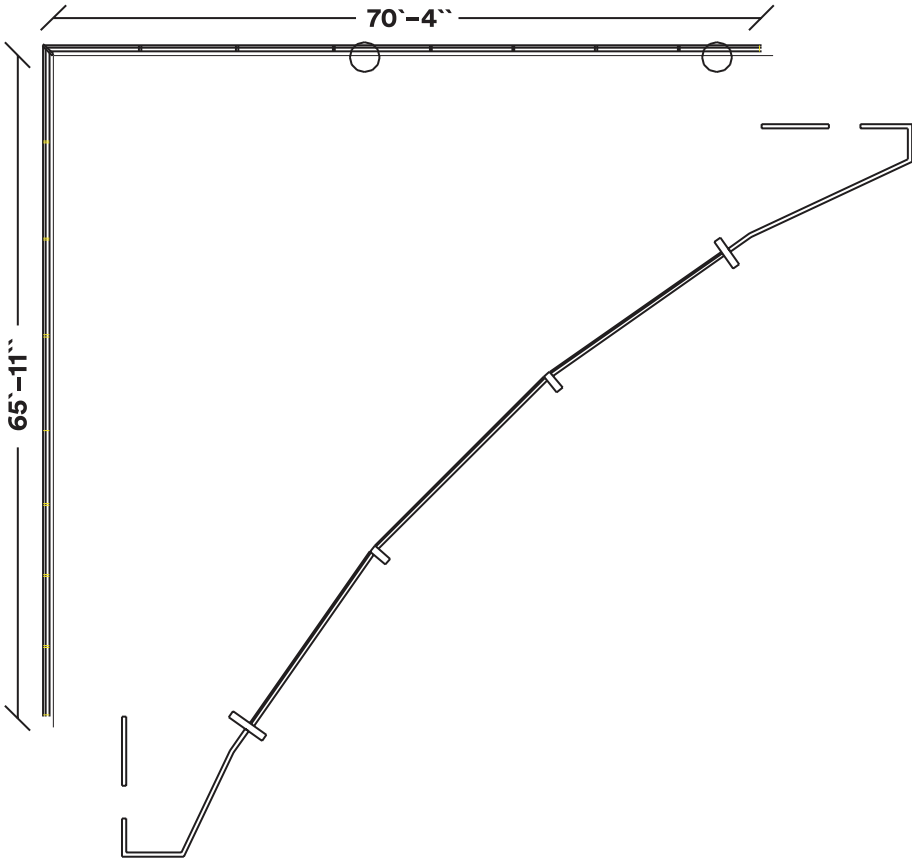


Club West

- Fun, yet elegant, and facing due west, Club West is located on Level 6 and is one of the “Jazziest” rooms at Vivint Smart Home Arena.
- Rich mahogany dining chairs and tables light up this festive room, which is complete with current and former Jazz player window pieces.
- From this room, visitors can see The Gateway shopping complex and the historic Union Pacific Building.

Square Footage & Capacities

- Square Feet: 3,100
- Maximum Capacity: 230
- Banquet: 180
- Classroom: 120
- Reception: 200
- Theatre: 230



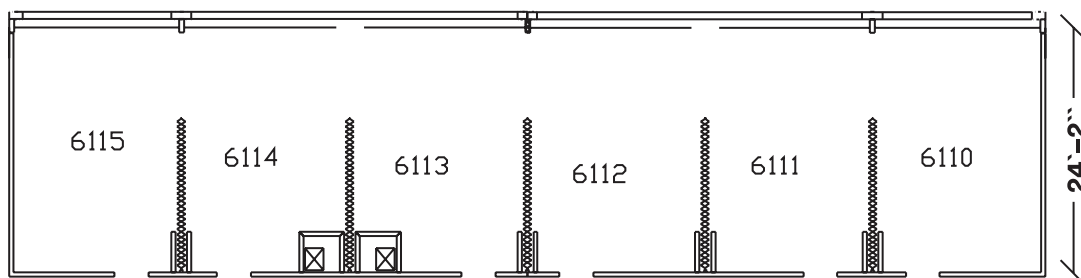
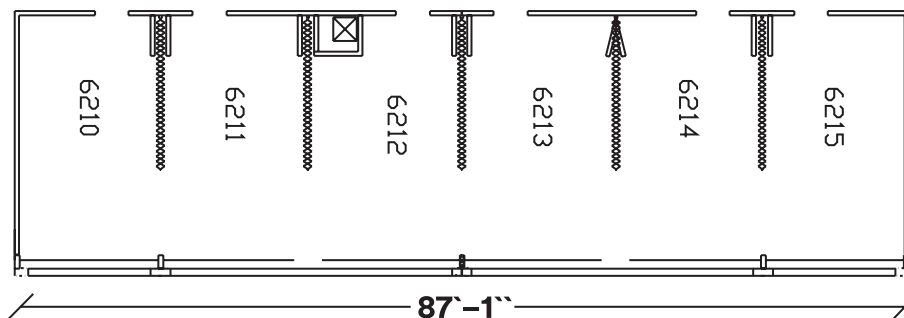
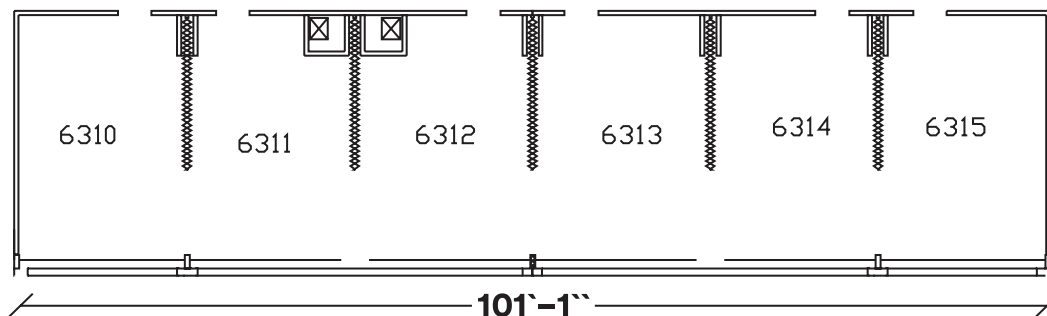
Club Suites 6100–6315

Club Suites

- Located on Level 6, you'll find 18 Club Suites overlooking the arena.
- These suites can have air walls open or closed to create an ideal meeting room for your specific needs. Customize your own space with six suites joined together, or just one by itself.

Square Footage & Capacities

- Square Feet: 2,300
- Maximum Capacity: 140
- Banquet: 100
- Classroom: 42
- Reception: 120
- Theatre: 140



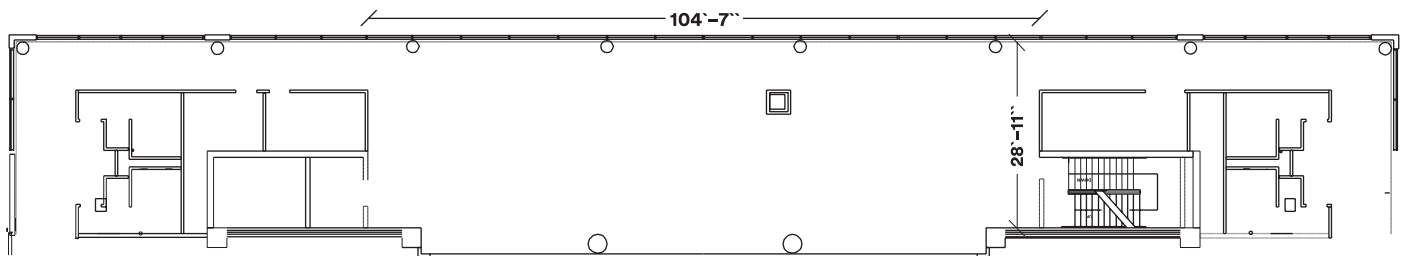
Club Lounge

Club Lounge

- The Club Lounge accommodates both the Jazz 100 Club and Club North on Level 6.
- This room with a view features a majestic window overlooking Capitol Hill, Temple Square and the Wasatch Mountains.
- With its leather sofas and chairs, cocktail rounds, and a Wurlitzer grand piano, this expansive room is ideal for any reception.

Square Footage & Capacities

- Square Feet: 3,300
- Maximum Capacity: 120
- Banquet: 88
- Classroom: 60
- Reception: 120
- Theatre: 100



Hot Rod Hundley Media Center

Hot Rod Hundley Media Center

- The Hot Rod Hundley Media Center on Level 1 is perfect as a breakout room, or for theatre and classroom meetings.

- With its numerous phone lines and built-in counters, The Hot Rod Hundley Media Center is ideal for training seminars and media sessions.

Square Footage & Capacities

- Square Feet: 1,760
- Maximum Capacity: 100
- Banquet: 70
- Classroom: 42
- Reception: 100
- Theatre: 80

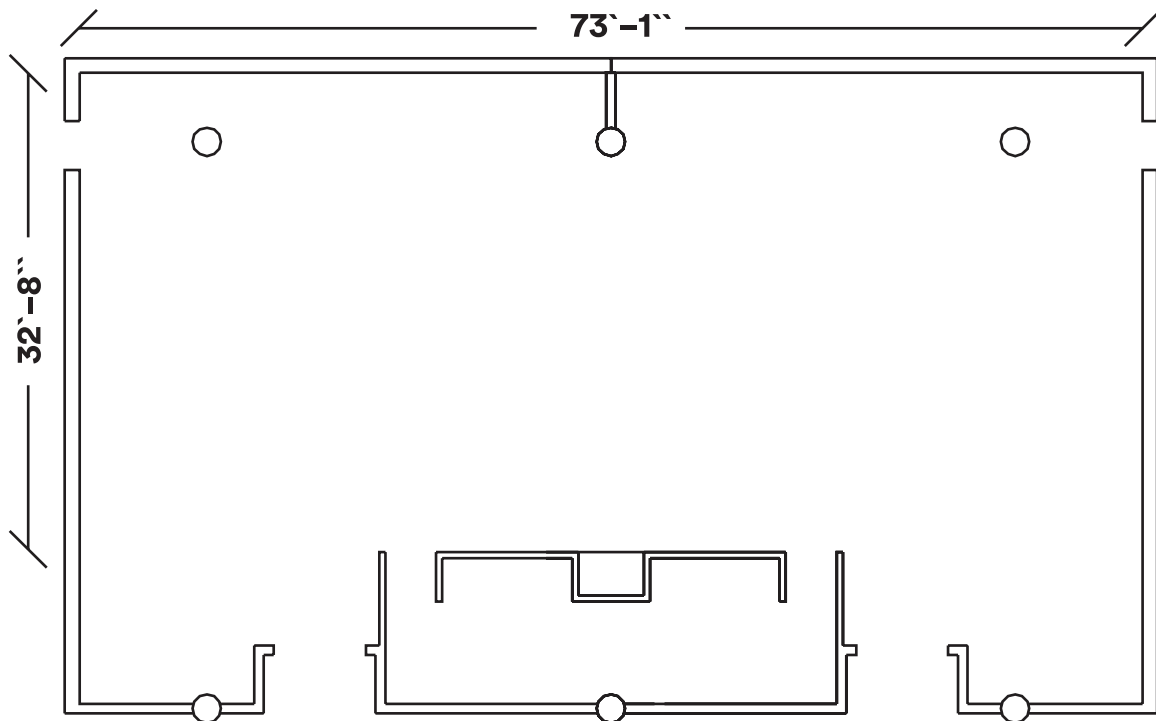
Multipurpose Rooms 1-2 & 3-4

Multipurpose Rooms

· On Level 1 you'll find two multipurpose rooms that are perfect for business breakout sessions and small meetings. Each room can be further divided into two separate spaces by means of a retractable air wall.

Square Footage & Capacities

- Square Feet: 2,400
- Maximum Capacity: 180
- Banquet: 120
- Classroom: 90
- Reception: 180
- Theatre: 150



Lexus Club

- The Lexus Club is located on Level 1 and is one of our fine dining rooms.
- Complete with a gorgeous bar and buffet area, the Lexus Club is beautifully designed with the business executive in mind.

Square Footage & Capacities

- Square Feet: 2,236
- Maximum Capacity: 180
- Banquet: 100
- Classroom: 84
- Reception: 180
- Theatre: 160